

Keep Zebra Printheads Clean for Optimum Performance!

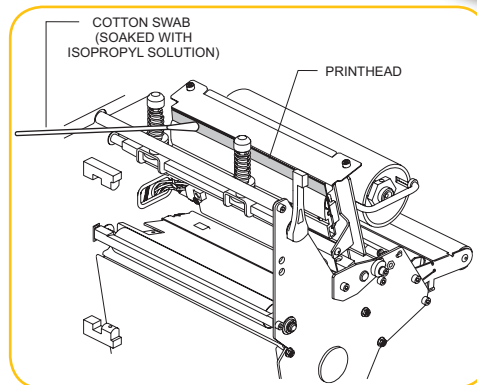


Cleaning the Zebra Printhead

Inconsistent print quality such as voids in the bar codes or graphics may indicate a dirty printhead. For optimum performance, the printhead should be cleaned regularly. Zebra Technologies recommends printhead cleaning when installing any new ribbon roll or after three label rolls. And to extend printhead life, quality label stock and media supplies should be used. Genuine Zebra™ supplies offer top quality as well as the greatest compatibility with Zebra printers.

Printhead Cleaning Procedure

1. Open the Printhead Assembly according to your User Guide instructions.
2. Remove the media and ribbon (if present).
3. Use a genuine Zebra cleaning swab (part number 47362) or Clean Penn (part number 105950-035) and wipe the print elements from end to end. (The print elements are the grayish/black strip just behind the chrome strip on the underside of the printhead.) Allow a few seconds for the solvent to evaporate.
4. Rotate the Platen Roller and clean thoroughly with a new cleaning swab as well.
5. Brush or vacuum any accumulated paper lint and dust away from the rollers and the media and ribbon sensors.
6. Reload ribbon and/or media, close and latch the printhead, restore power (if necessary) and run the PAUSE Key self test to verify print quality.



Certain models may vary; not all as shown.

Clean Penn™
(#105950-035)



Alcohol Swabs
(#47362)



Extend printhead life with genuine Zebra supplies.
Order your cleaning supplies today, plus genuine Zebra labels, ribbons, tags, wristbands, tickets, and printer accessories at www.zipzebra.com, or contact your supplies specialist at +1 866 230 9495.



www.zebra.com

Corporate Headquarters
+1 800 423 0442
E-mail: inquiry4@zebra.com

Asia-Pacific Headquarters
+65 6858 0722
E-mail: apacchannelmarketing@zebra.com

EMEA Headquarters
+44 (0)1628 556000
E-mail: mseurope@zebra.com

Latin America Headquarters
+1 847 955 2283
E-mail: inquiry4@zebra.com

Other Locations

USA: California, Georgia, Rhode Island, Texas, Wisconsin **Europe:** France, Germany, Italy, Netherlands, Poland, Spain, Sweden **Asia Pacific:** Australia, China, India, Japan, South Korea **Latin America:** Argentina, Brazil, Florida (USA), Mexico **Africa/Middle East:** Russia, South Africa, United Arab Emirates

©2010 ZIH Corp. All product names and numbers are Zebra trademarks, and Zebra and the Zebra head graphic are registered trademarks of ZIH Corp. All rights reserved. All other trademarks are the property of their respective owners.

GSA#: GS-35F-0268N
P1032140 (10/10)

